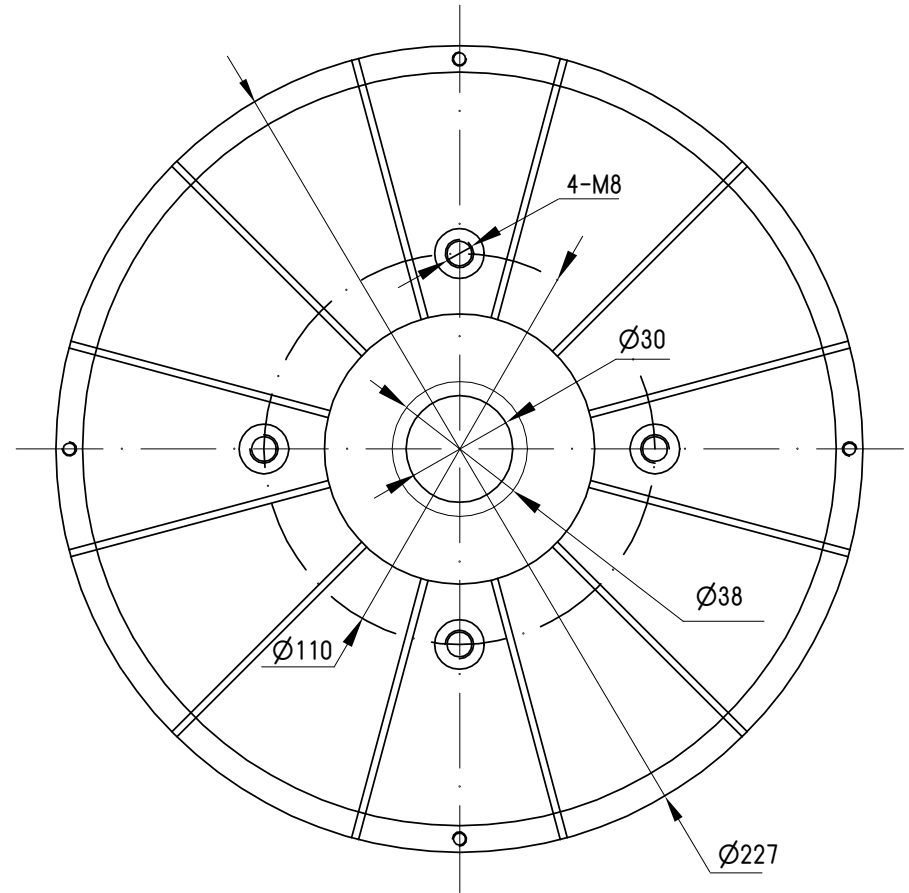
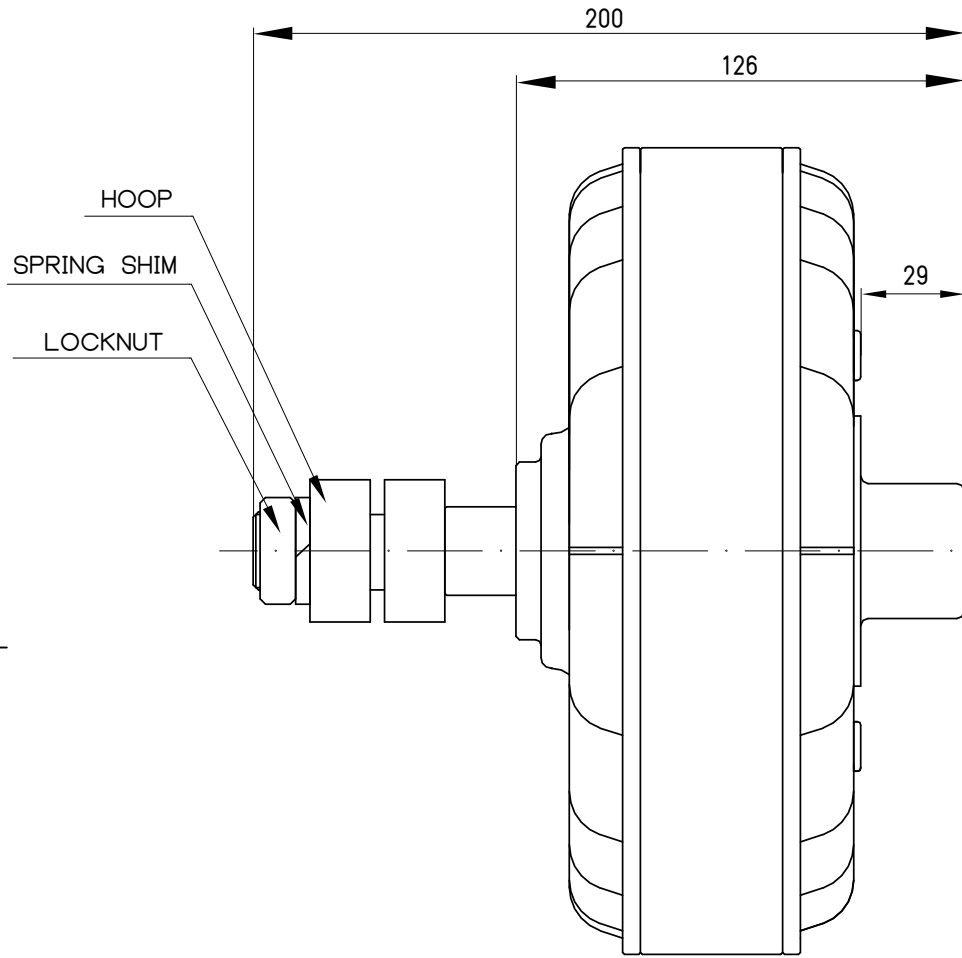



REV	DESCRIPTION	DATE	APPROVE
P1	PRELIMINARY	20/04/03	ZZF



MOTOR SPECIFICATIONS	
VOLTAGE	110/230 VAC
RATED SPEED	170 rpm
RATED TORQUE	7 Nm
NOISE LEVEL	35dB Max

Dept.	Technical reference	Created by	Approved by
		Document type	Document status
		Title	BRUSHLESS FAN MOTOR
		Rev.	Date of issue
		Sheet	